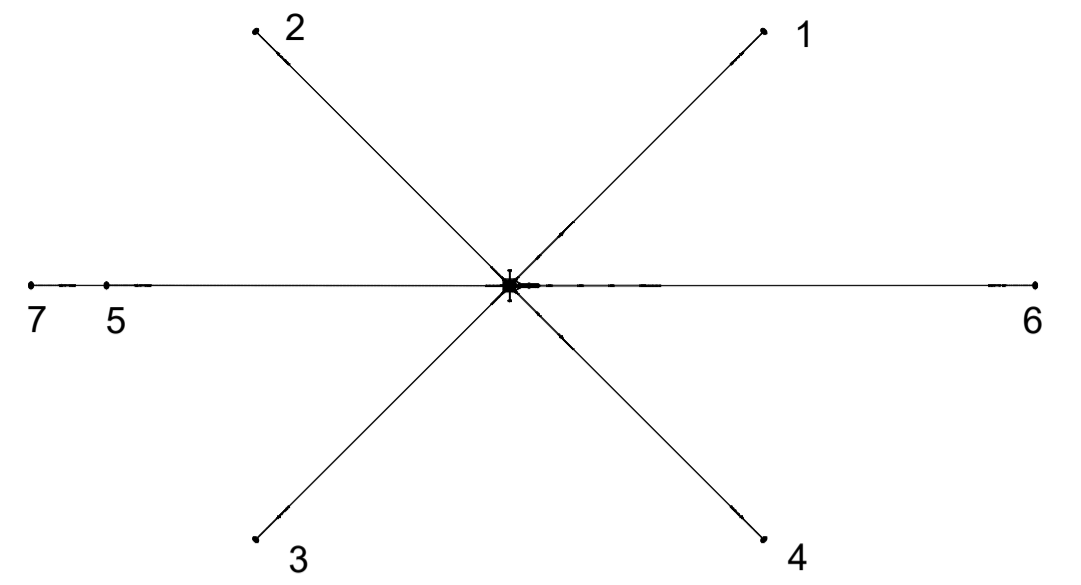
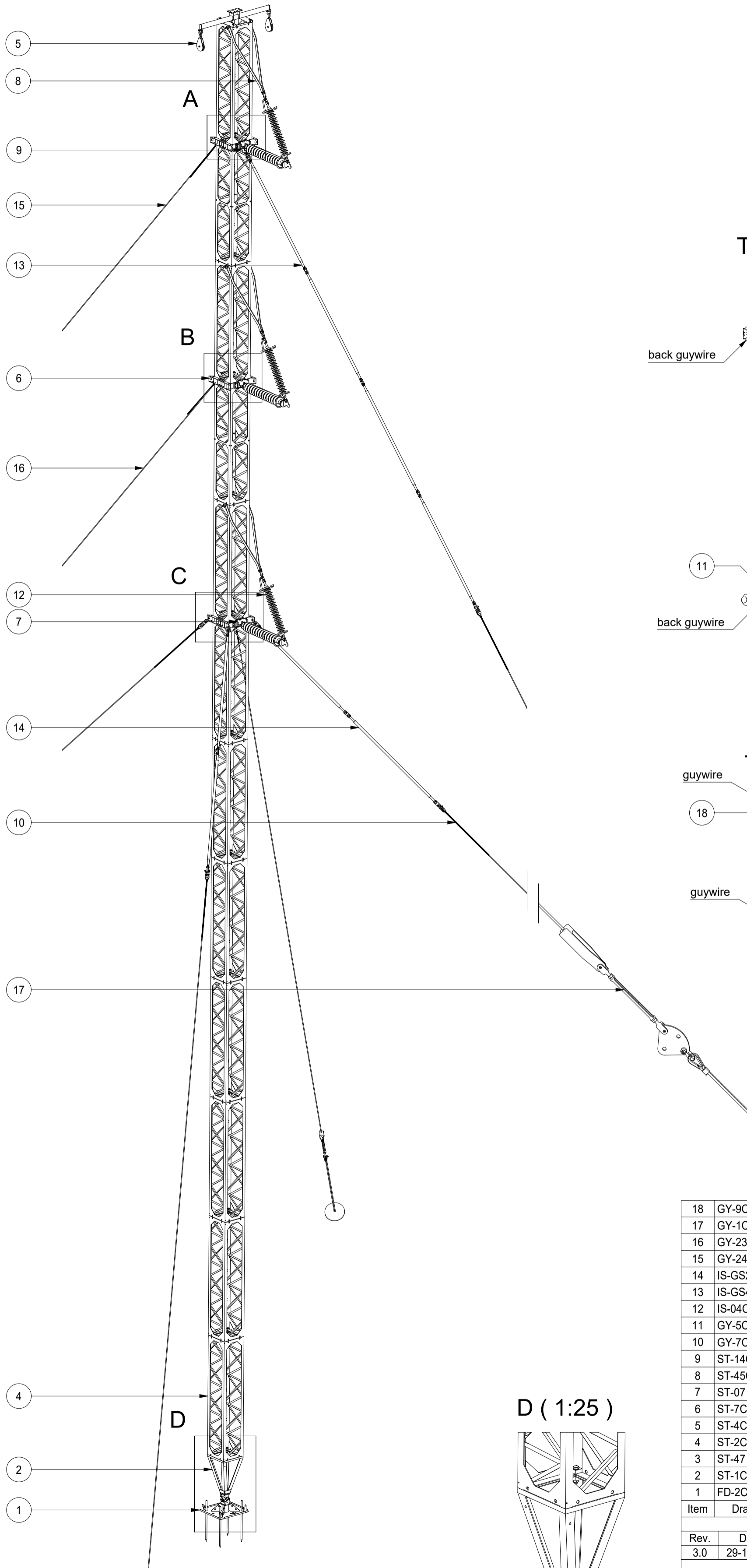


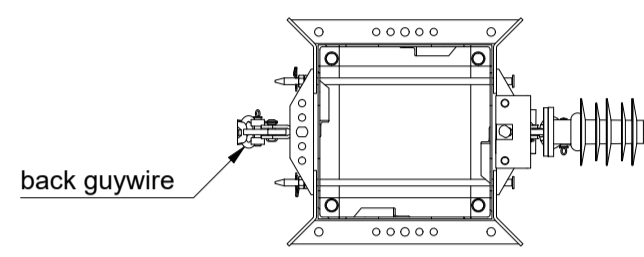
Top view



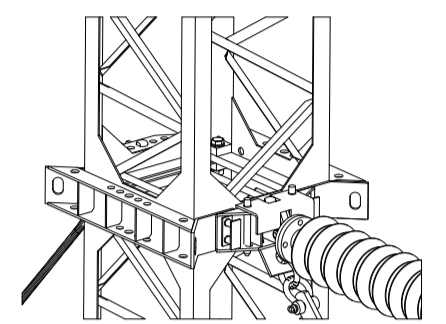
Note: top guywire (7) is 55m long (GY-24)



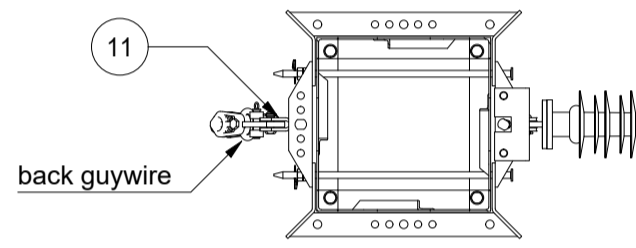
Topview A ( 1 : 25 )



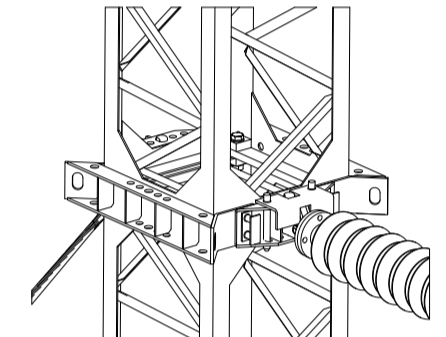
A ( 1:25 )



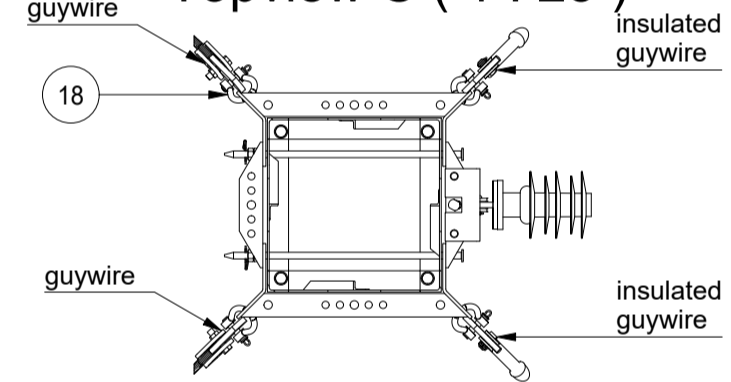
Topview B ( 1 : 25 )



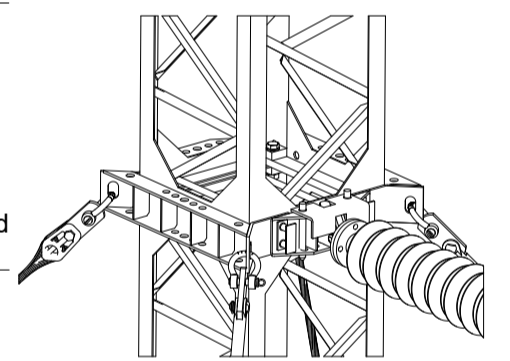
B ( 1:25 )



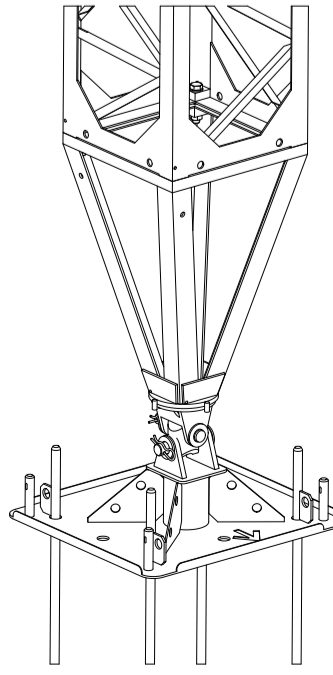
Topview C ( 1 : 25 )



C ( 1:25 )



D ( 1:25 )



18	GY-9C	2	Guy Wire Big Grip Dead-end with shackle, complete	
17	GY-1C	7	Guy wire anchor connection, complete (excl. anchor)	
16	GY-23	6	45m Guy wire (steel)	
15	GY-24	1	55m Guy wire (steel)	
14	IS-GS2	2	Guy strain insulator double, complete	
13	IS-GS4	1	Guy strain insulator quad, complete	
12	IS-04C	3	V-Brace 110kV modular	
11	GY-5C	2	Guy wire hinge connection, complete	
10	GY-7C	5	Guy Wire Big Grip Dead-end, complete	
9	ST-14C	1	Wind guy plate, complete	
8	ST-45C	3	Tension insulator extension Small, complete	
7	ST-07	3	Lock for linepost insulators	Remove lock after raising tower
6	ST-7C	3	Attachment frames AT, complete	
5	ST-4C	1	Tower top, complete	
4	ST-2C	10	Standard section, complete	
3	ST-47	2	Standard section with middle attachment	
2	ST-1C	1	Bottom section, complete	
1	FD-2C	1	Foundation tower, complete	

Item	Drawingnr	Qty	Description	remark
------	-----------	-----	-------------	--------

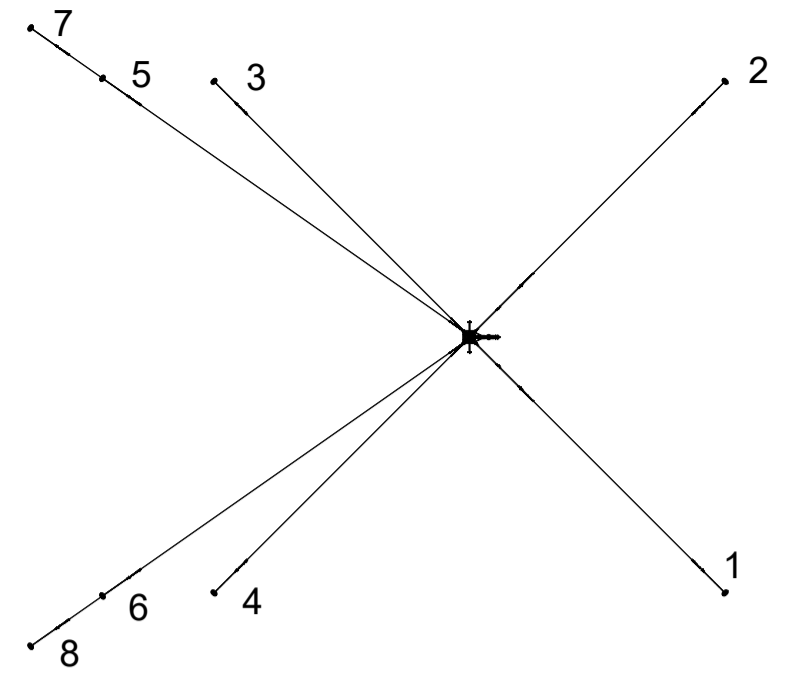
Rev.	Date	Description
------	------	-------------

3.0	29-1-2024	indicated length of the guywires
-----	-----------	----------------------------------

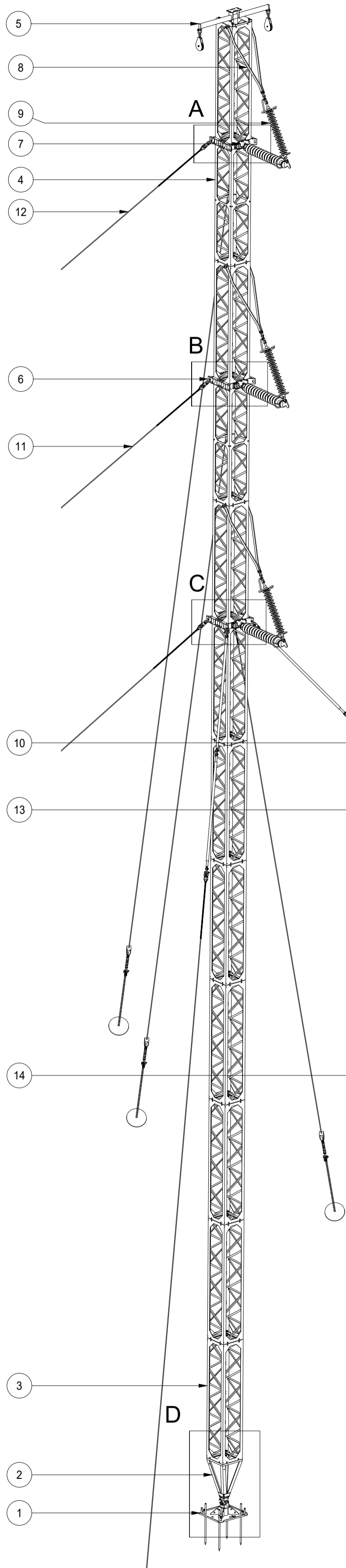
	Projectname: LitGrid Emergency Restoration System (ERS)
	Third angle projection: 

Design state: Released	Scale: 1 : 75	Description: Tower Assembly RA1 (110kV)	Revision: <b>3.0</b>
Drawn by: PUG 5-10-2023	Units: mm		
Checked by: PKO 5-10-2023	Project no: 10449122	Format: <b>A2</b>	
Approved by: EPE 5-10-2023	Company: LitGrid		

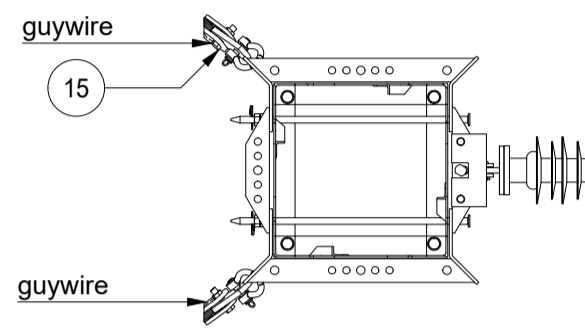
Top View



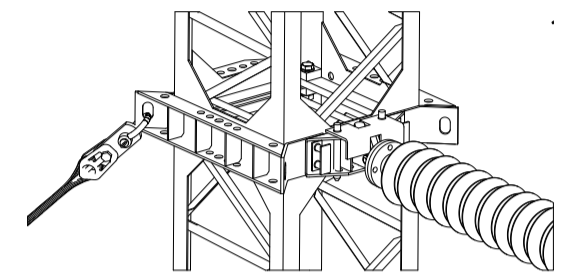
Note: top guywires (7 & 8) are 55m long (GY-24)



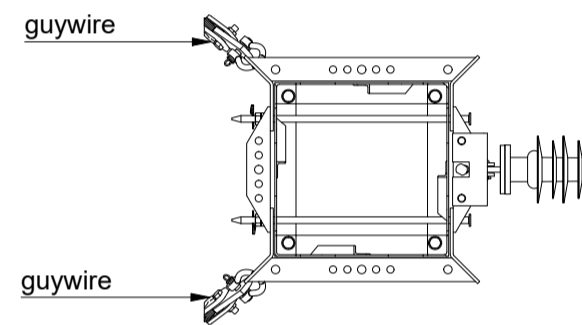
Topview A ( 1 : 25 )



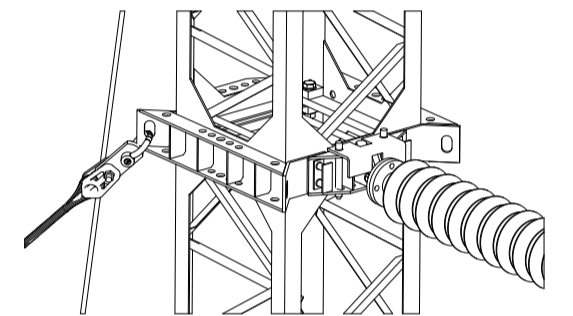
A ( 1 : 25 )



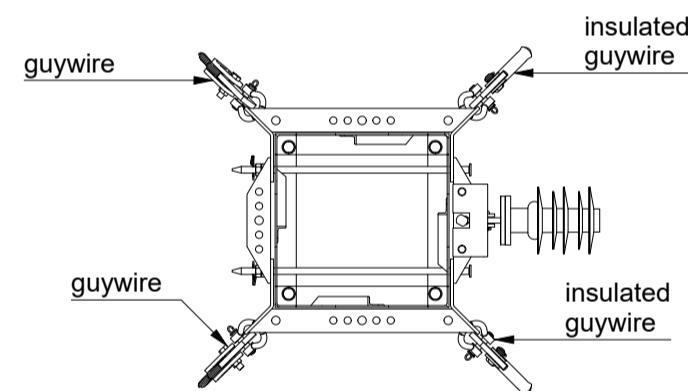
Topview B ( 1 : 25 )



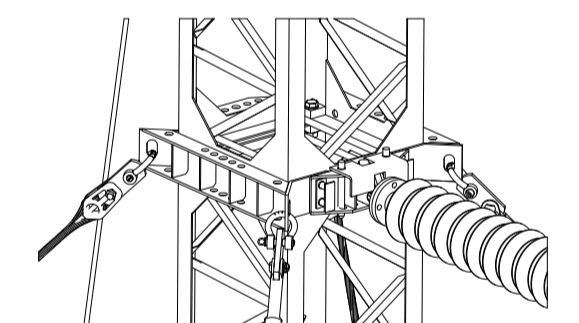
B ( 1 : 25 )



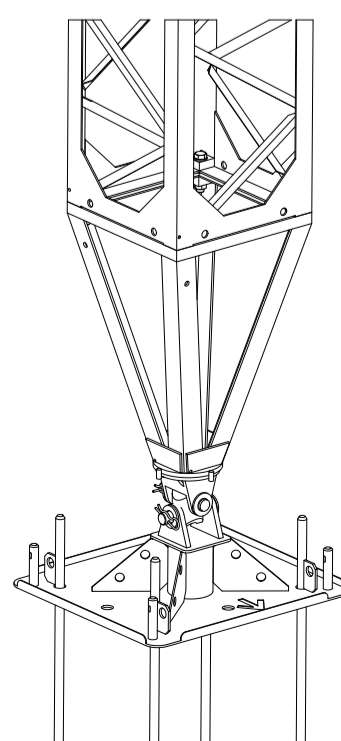
Topview C ( 1 : 25 )



C ( 1 : 25 )



D ( 1 : 25 )



15	GY-9C	6	Guy Wire Big Grip Dead-end with shackle, complete	
14	GY-1C	8	Guy wire anchor connection, complete (excl. anchor)	
13	GY-7C	2	Guy Wire Big Grip Dead-end, complete	
12	GY-24	2	55m Guy wire (steel)	
11	GY-23	6	45m Guy wire (steel)	
10	IS-GS2	2	Guy strain insulator double, complete	
9	IS-04C	3	V-Brace 110kV modular	
8	ST-45C	3	Tension insulator extension Small, complete	
7	ST-07	3	Lock for linepost insulators	Remove lock after raising tower
6	ST-7C	3	Attachment frames AT, complete	
5	ST-4C	1	Tower top, complete	
4	ST-47	2	Standard section with middle attachment	
3	ST-2C	10	Standard section, complete	
2	ST-1C	1	Bottom section, complete	
1	FD-2C	1	Foundation tower, complete	
Item	Drawingnr	Qty	Description	remark

Rev.	Date	Description
4.0	13-2-2024	corrected amount of standard sections

		Projectname: LitGrid Emergency Restoration System (ERS)
Design state: Released		Drawing no.: RA2 (110kV)
Drawn by: PUG 5-10-2023		Description: Tower Assembly RA2 (110kV)
Checked by: PKO 5-10-2023		Scale: 1 : 75
Approved by: EPE 5-10-2023		Units: mm
Project no: 10449122		Company: LitGrid
Revision: <b>4.0</b>		Format: <b>A2</b>